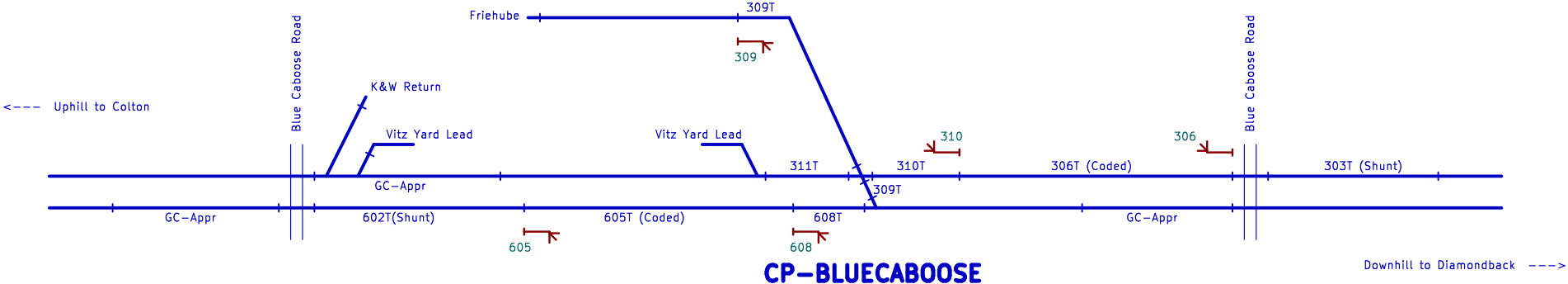


# Track Diagram Blue Caboose



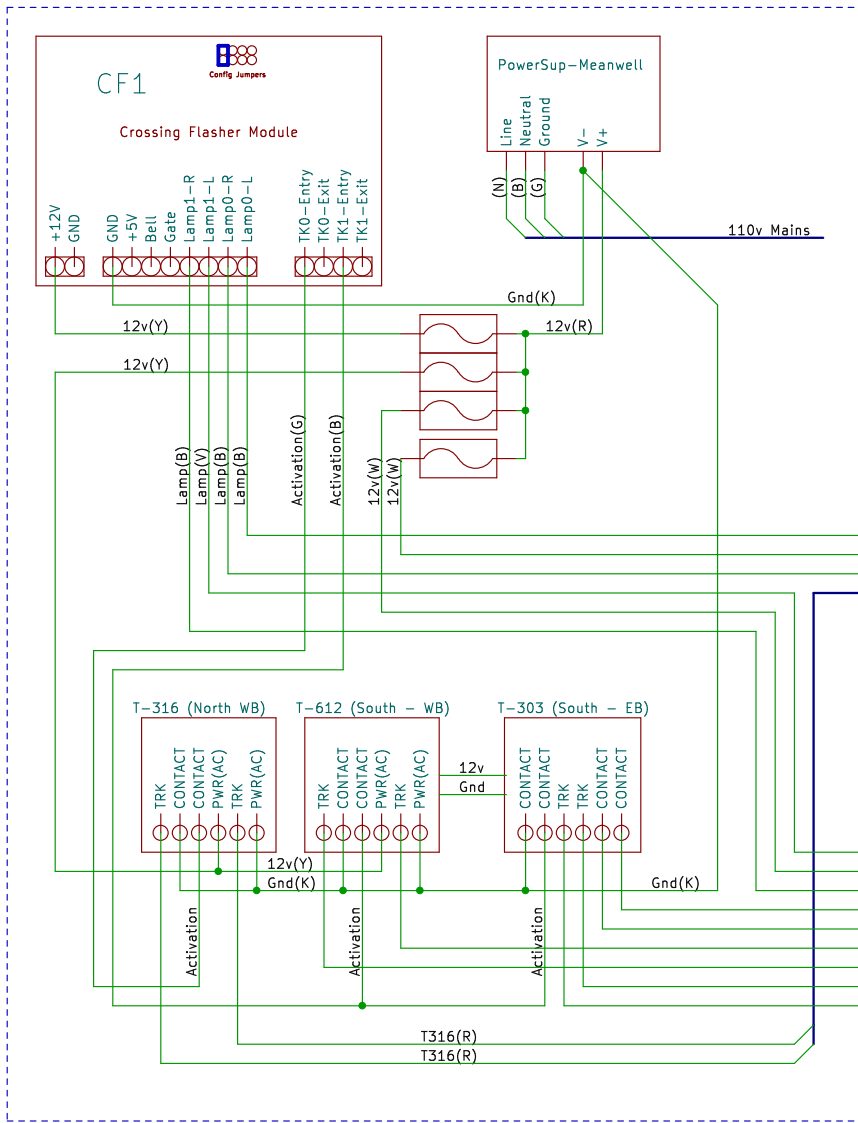
**CP-BLUECABOOSE**

gc-bluecaboose  
  
 File: gc-bluecaboose.kicad\_sch

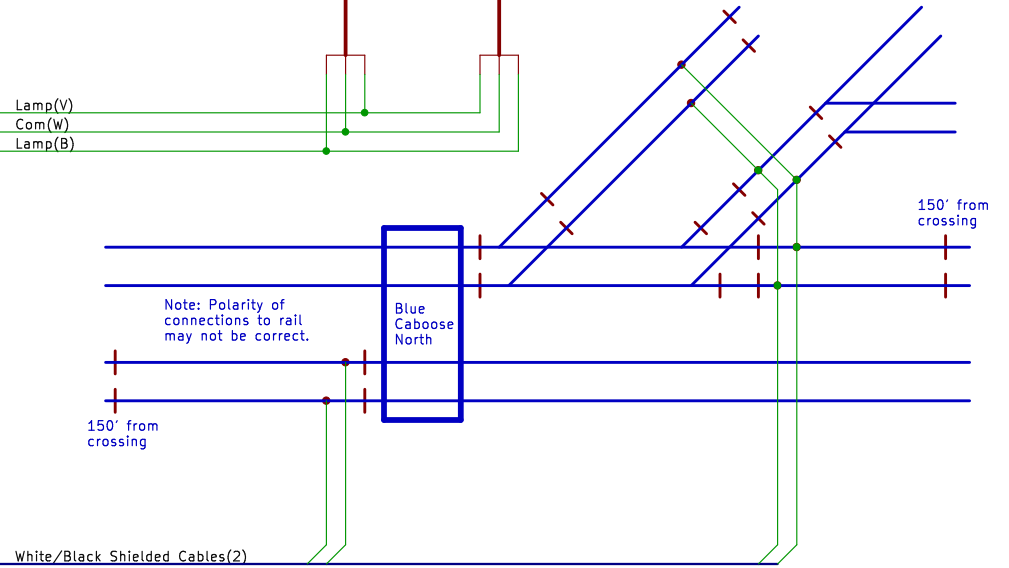
605  
  
 File: 605.kicad\_sch

BlueCaboose  
  
 File: BlueCaboose.kicad\_sch

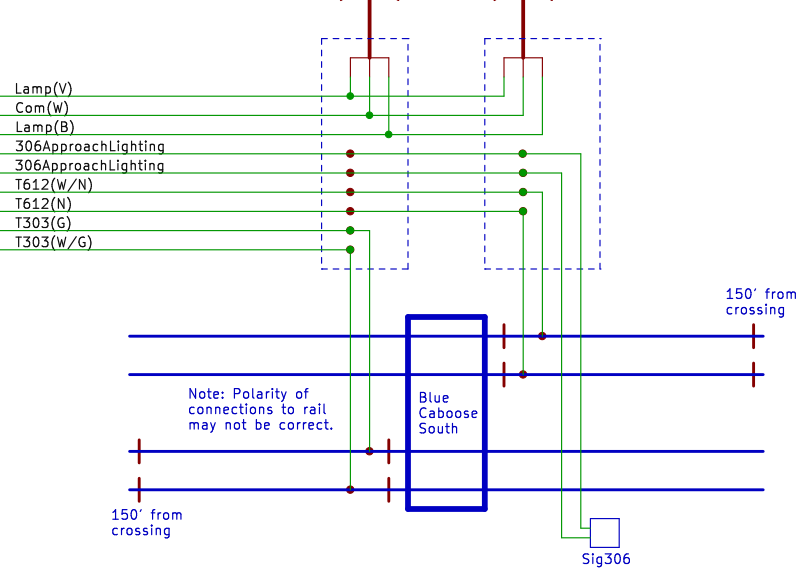
306  
  
 File: 306.kicad\_sch



Each lamp is NTE30180-R LED with 15 ohm 2W resistor in series. Each LED draws ~660mA.



Each lamp is NTE30180-R LED with 15 ohm 2W resistor in series. Each LED draws ~660mA.



Cabinet

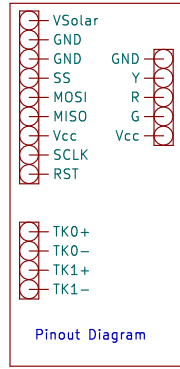
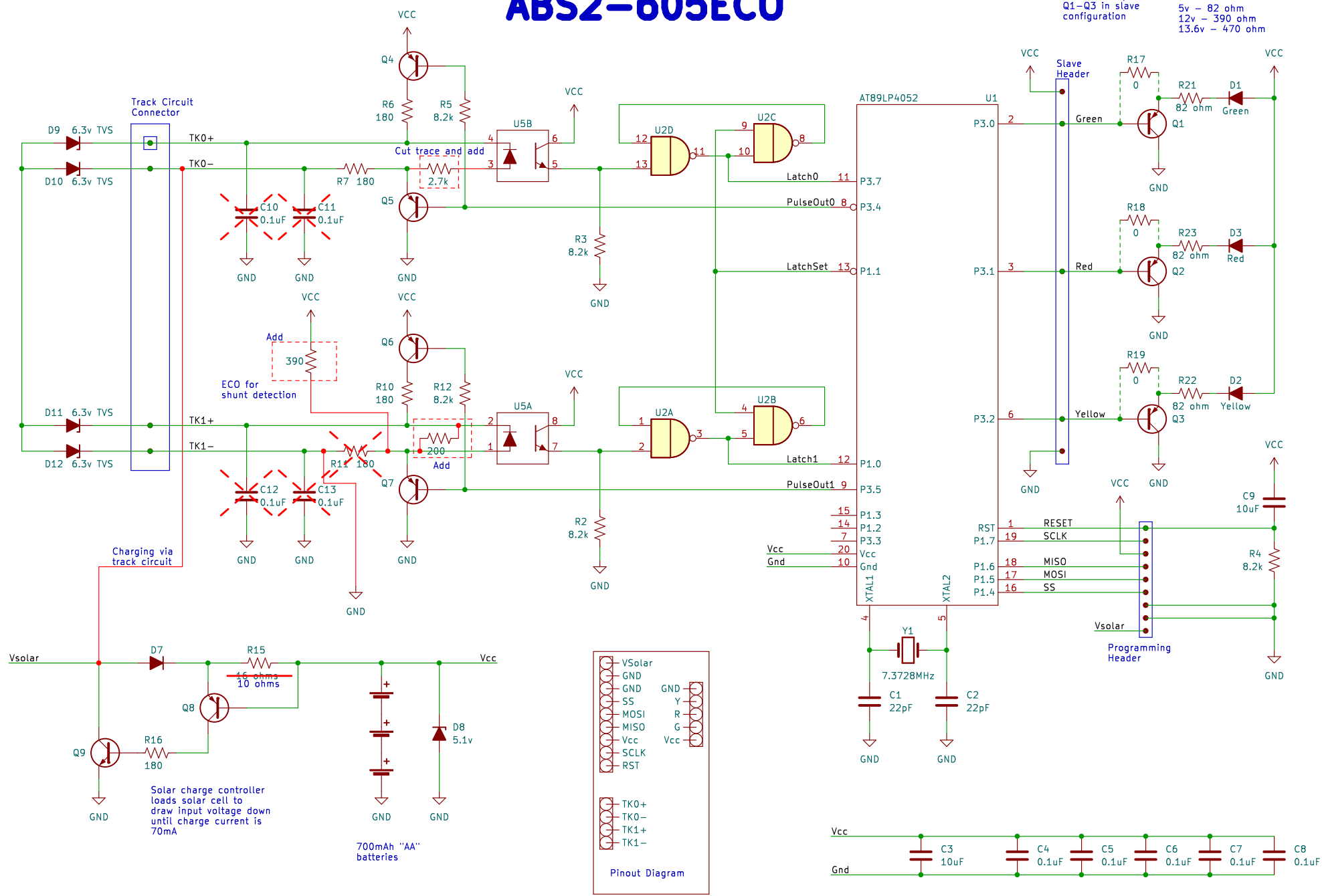
# Blue Caboose Crossings

Updated with CF1 8/2022



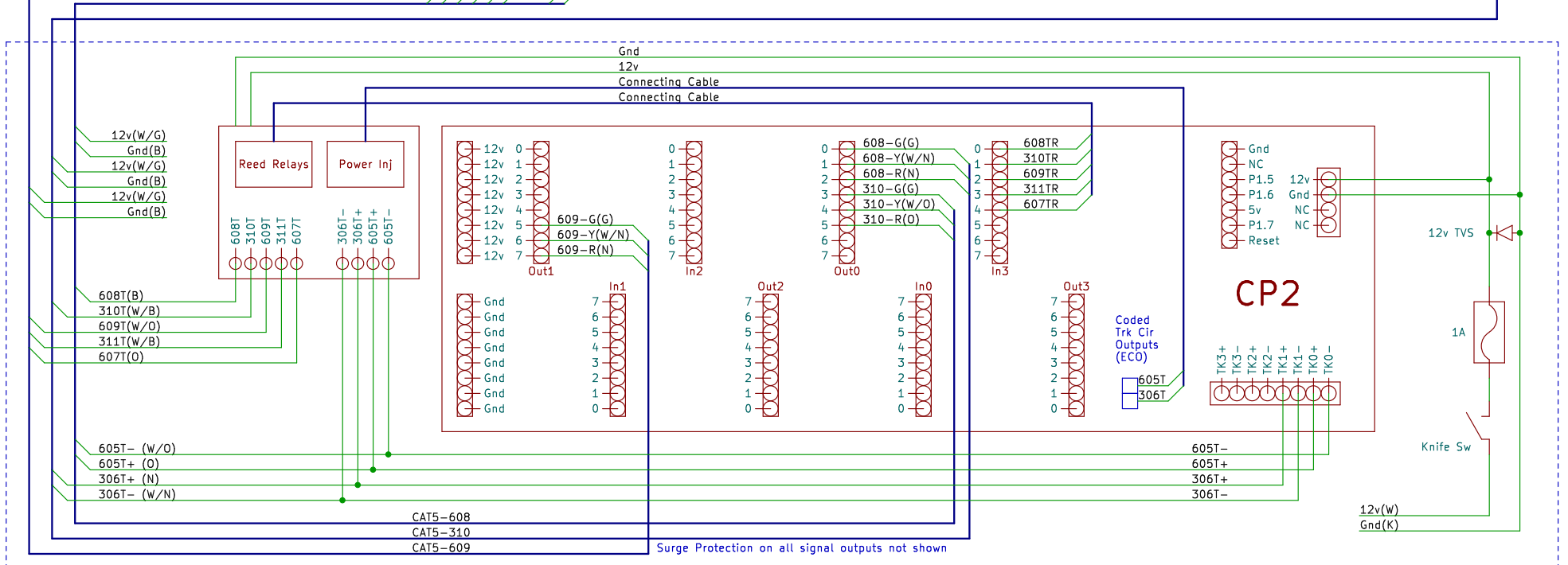
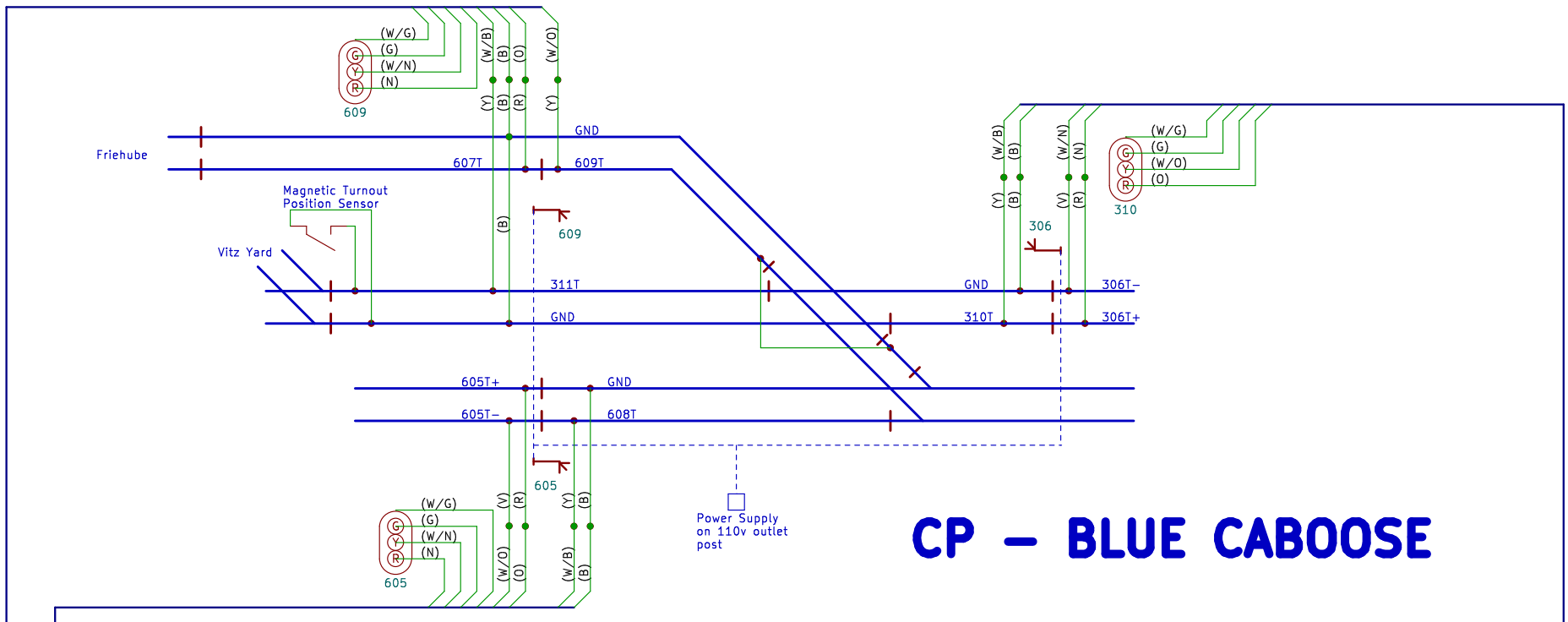
# ABS2-605ECO

R17-R19 replace Q1-Q3 in slave configuration  
 5v - 82 ohm  
 12v - 390 ohm  
 13.6v - 470 ohm



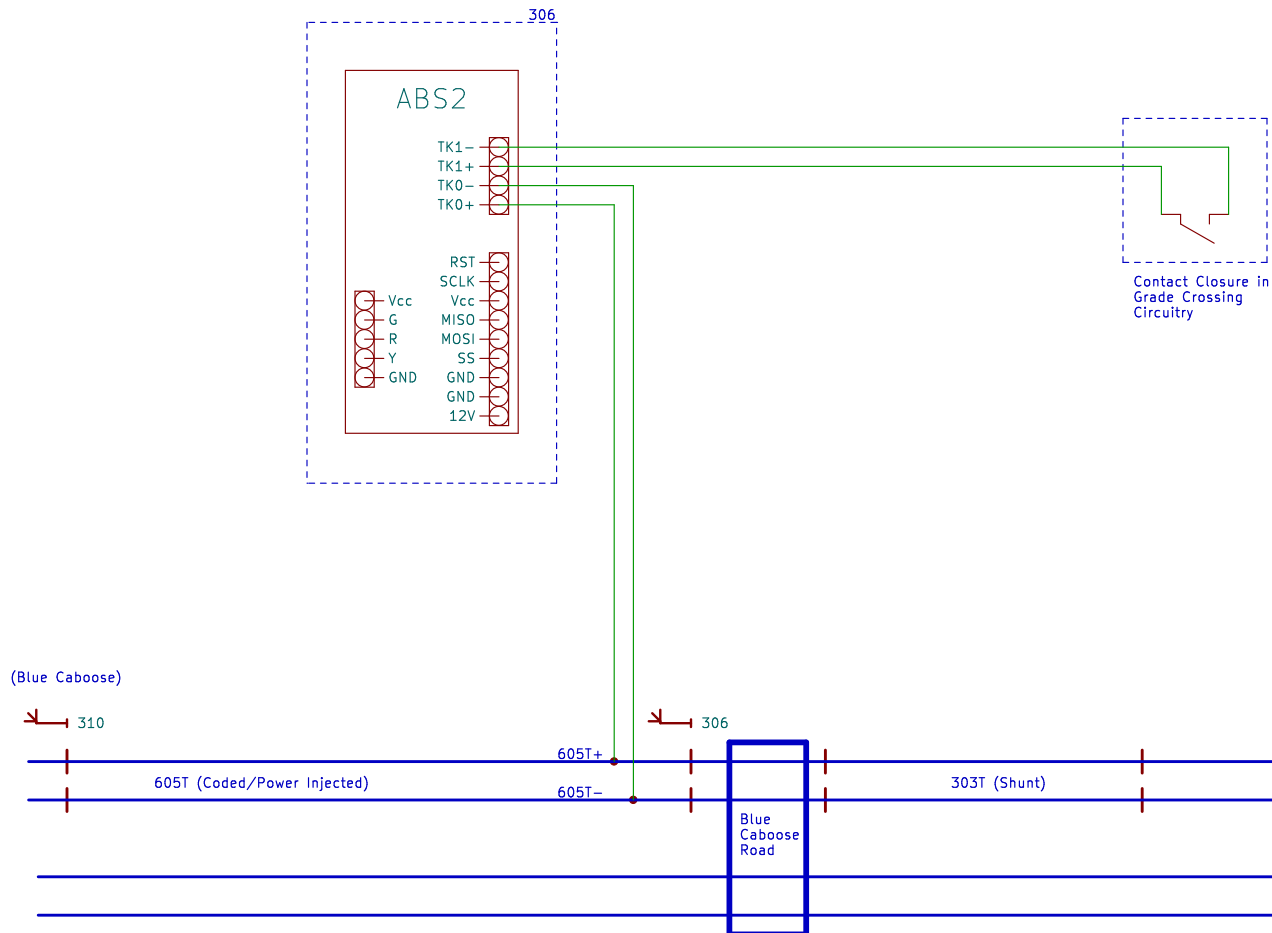
Solar charge controller loads solar cell to draw input voltage down until charge current is 70mA

700mAh "AA" batteries



# Signal 306

306-abs  
File: ABS2-306ECO.kicad\_sch



# ABS2-306ECO

R17-R19 replace Q1-Q3 in slave configuration  
 5v - 82 ohm  
 12v - 390 ohm  
 13.6v - 470 ohm

