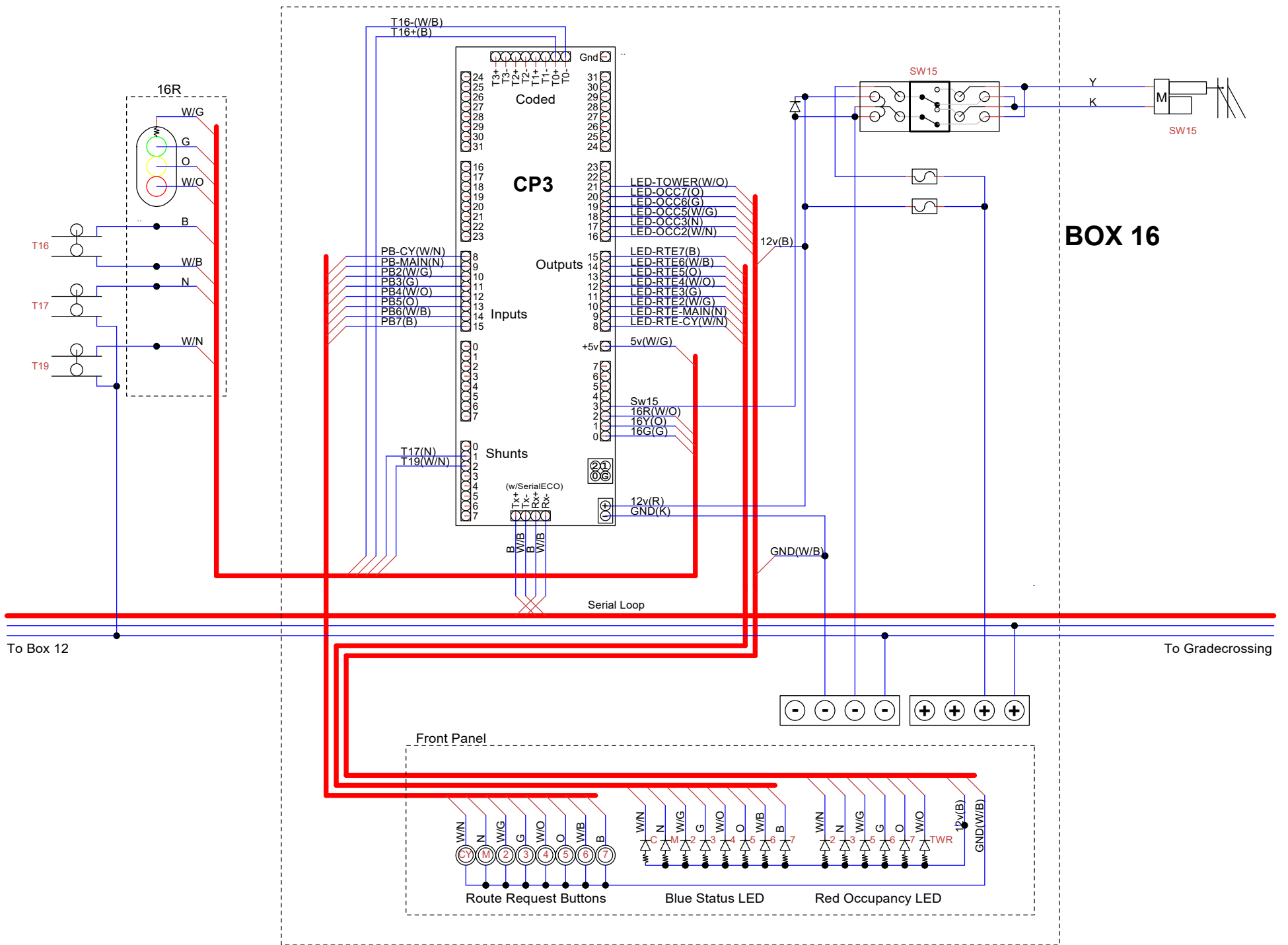
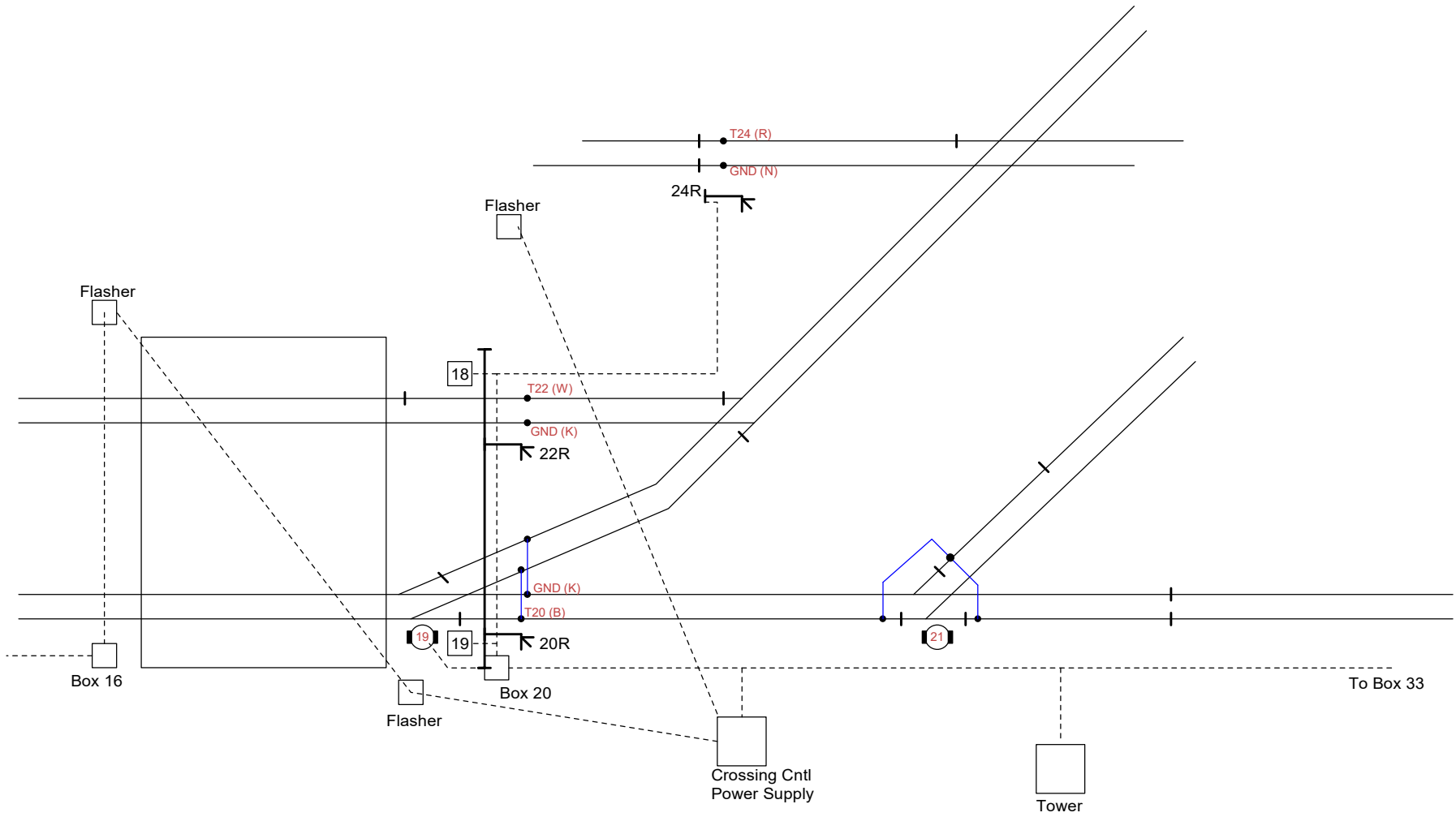
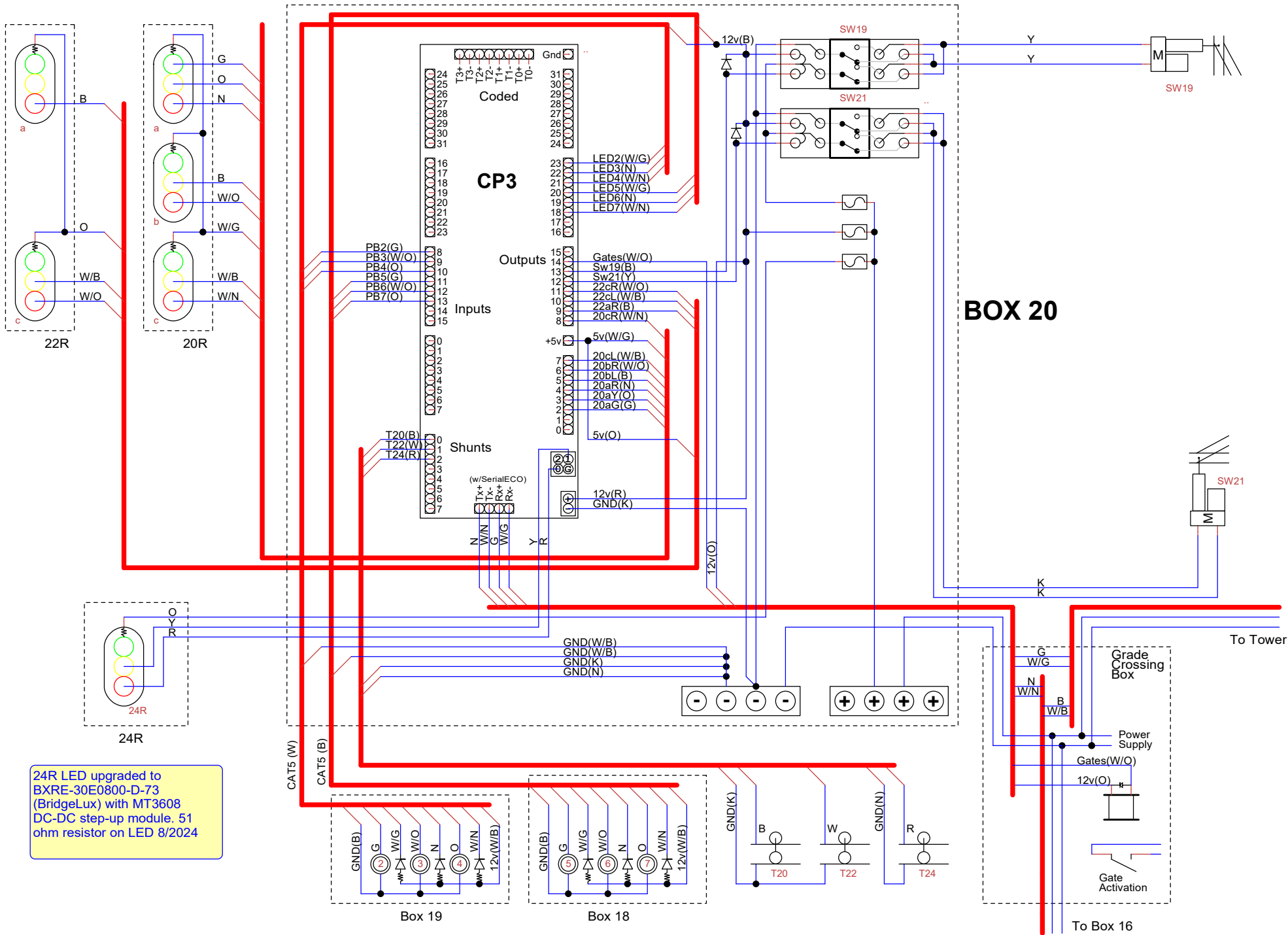


BOX 12

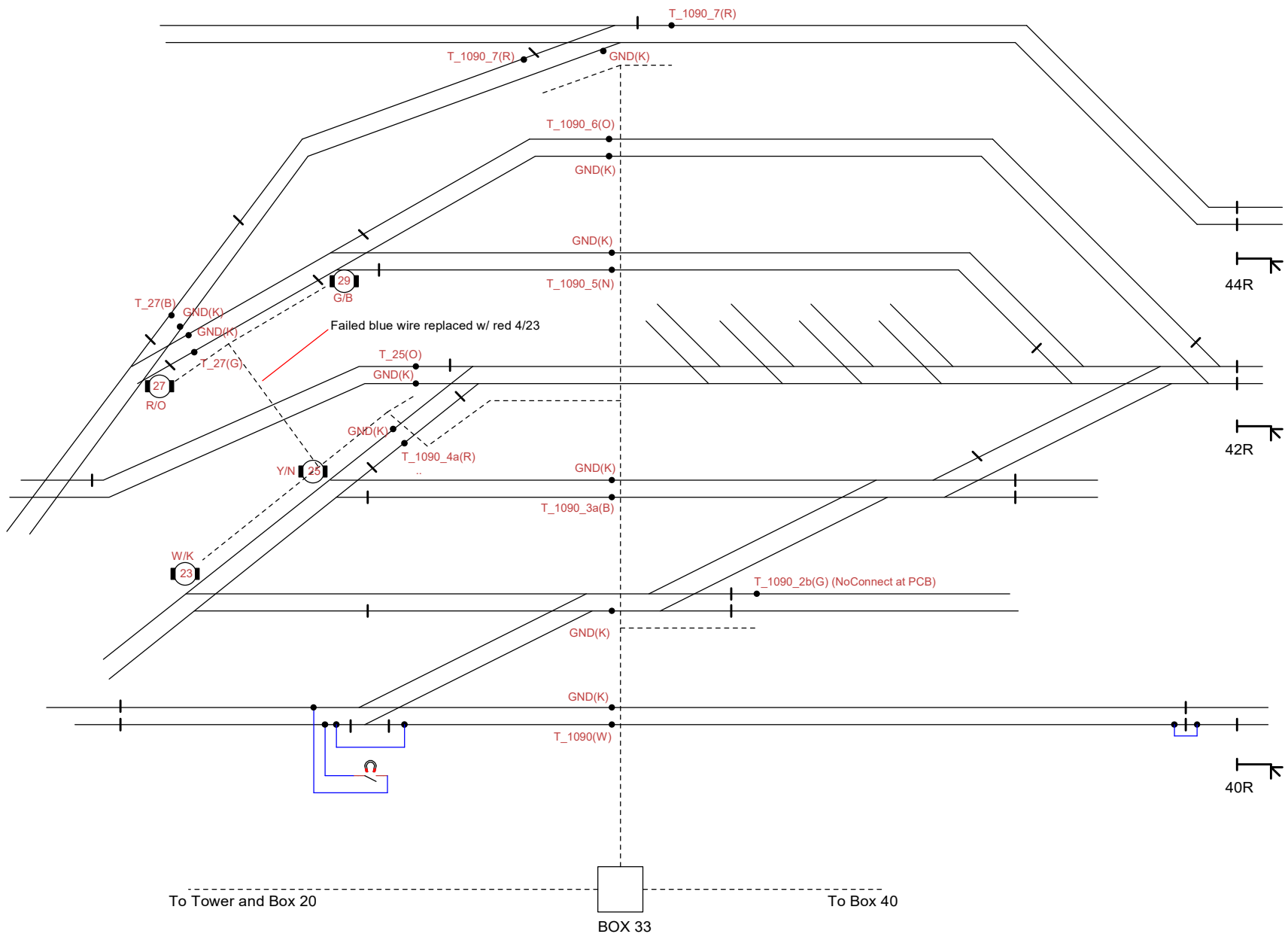
To Box 16

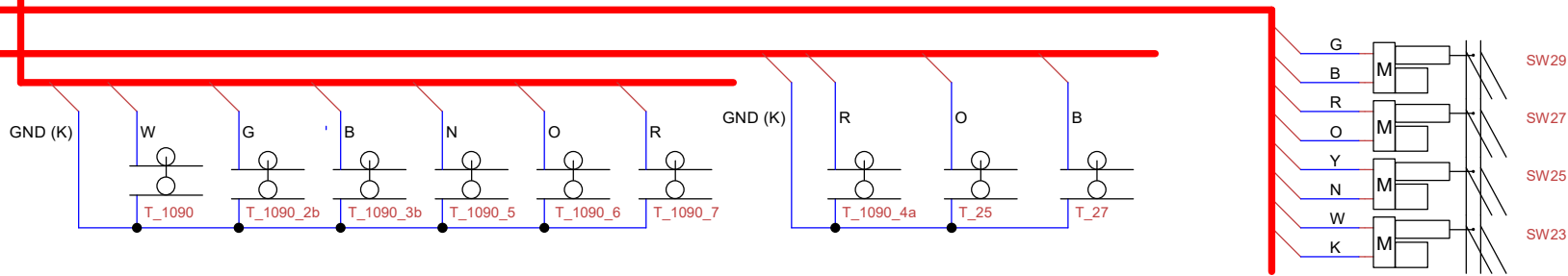
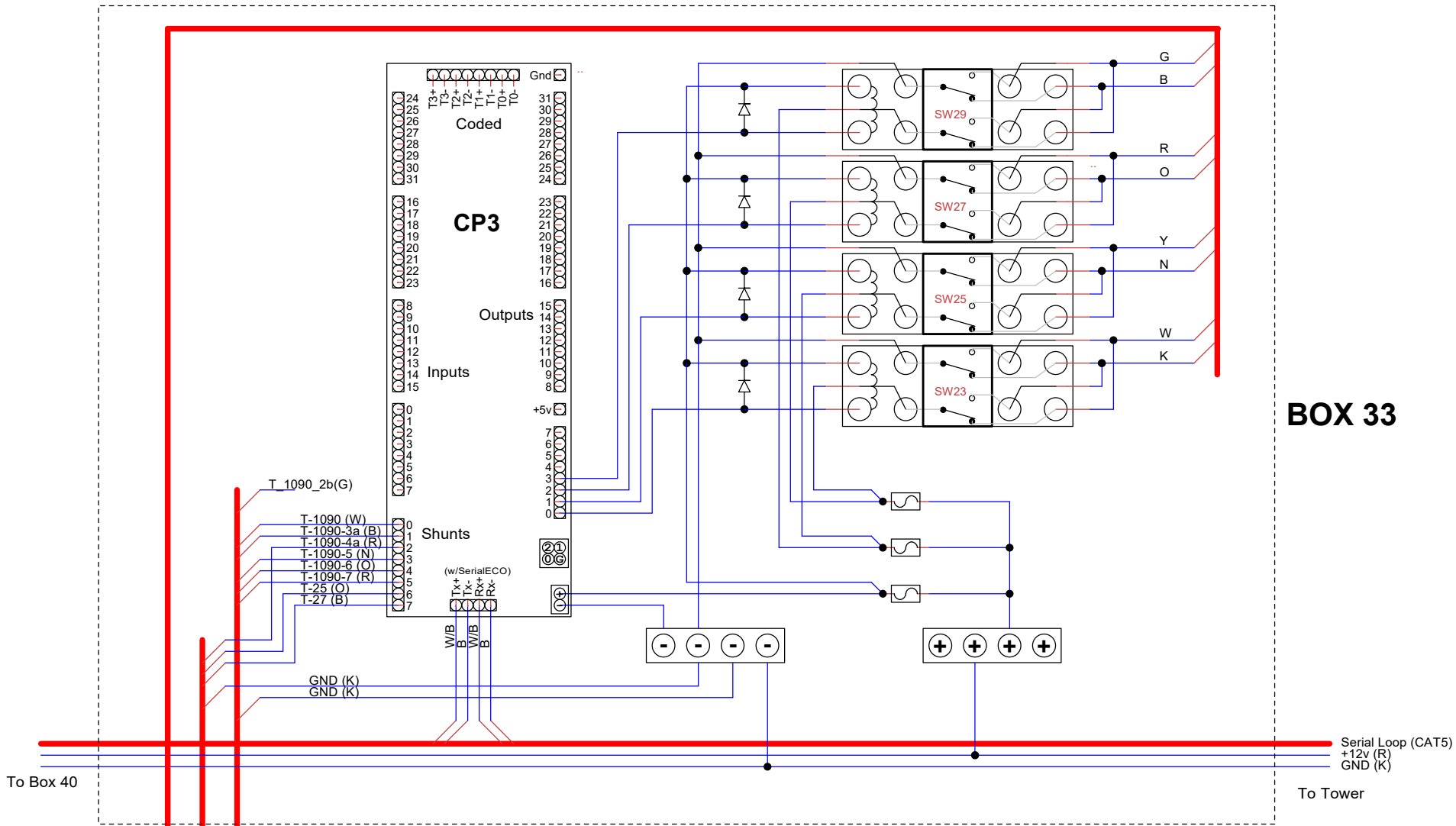


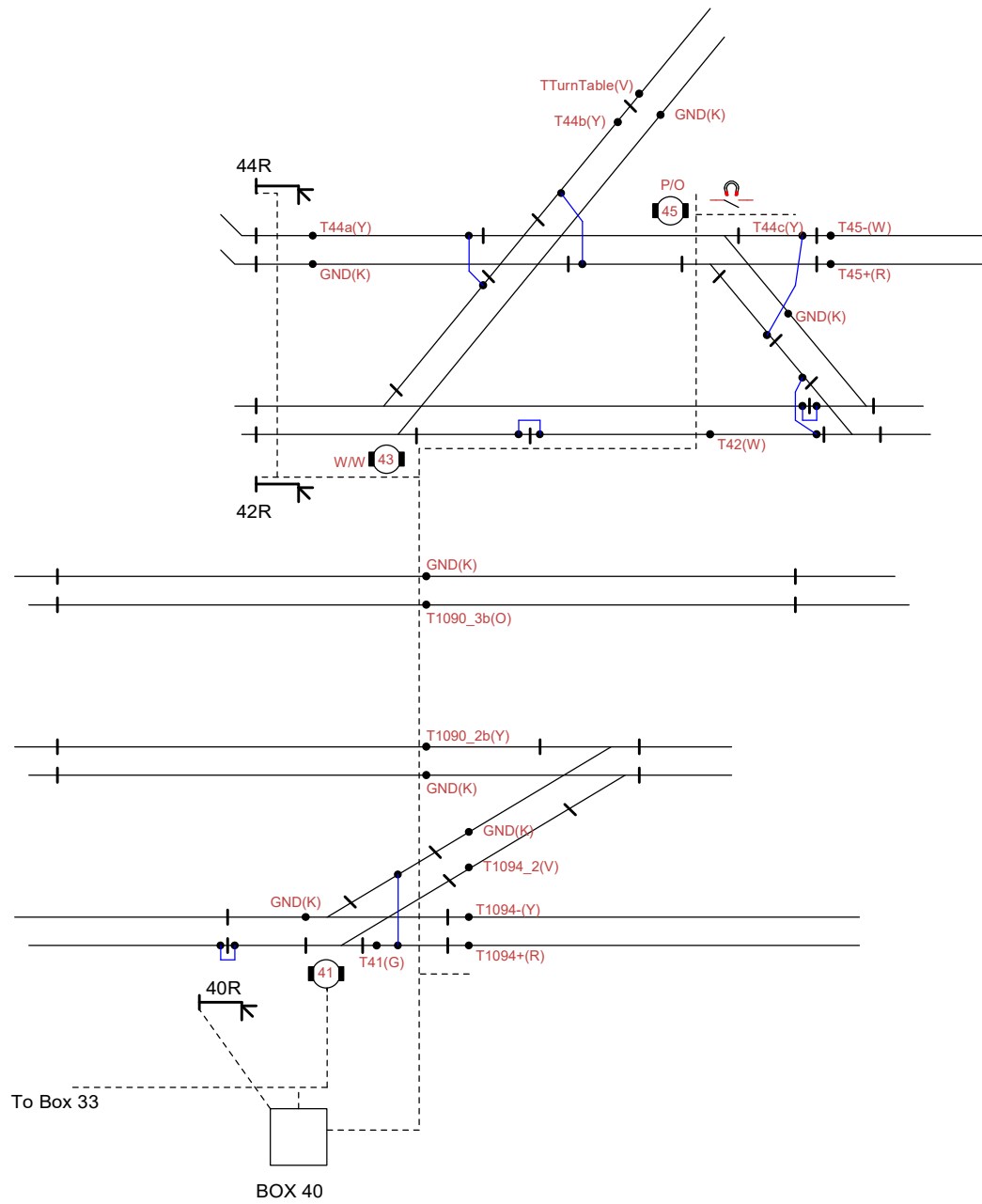




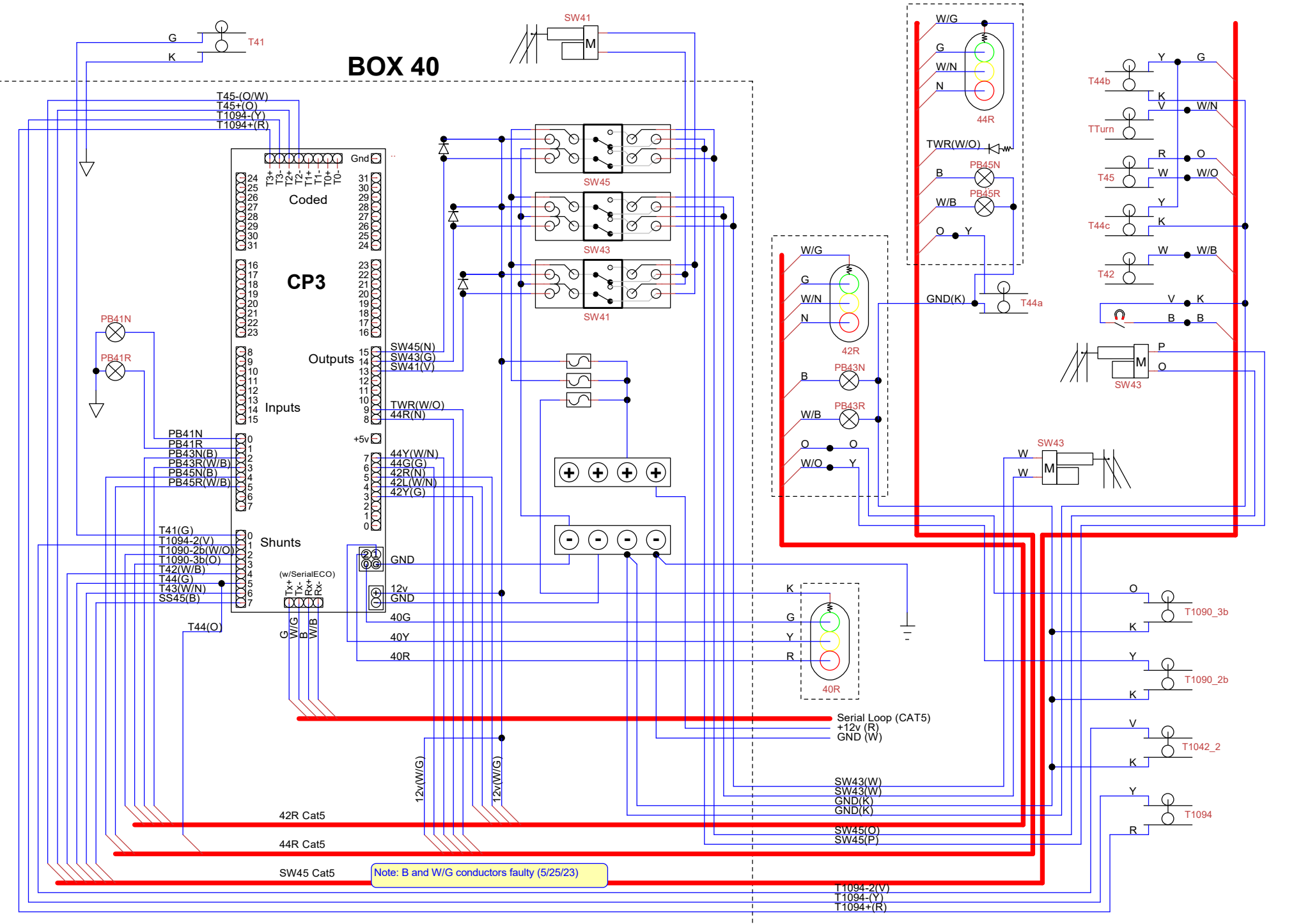
24R LED upgraded to BXRE-30E0800-D-73 (BridgeLux) with MT3608 DC-DC step-up module. 51 ohm resistor on LED 8/2024







BOX 40



Note: B and W/G conductors faulty (5/25/23)

Serial Loop (CAT5)
+12v (R)
GND (W)

SW43(W)
SW43(W)
GND(K)
GND(K)

SW45(O)
SW45(P)

T1094-2(V)
T1094-(Y)
T1094+(R)

42R Cat5
44R Cat5
SW45 Cat5

12v(W/G)
12v(W/G)

T44(O)

T41(G)
T1094-2(V)
T1090-2b(W/O)
T1090-3b(O)
T42(W/B)
T44(G)
T43(W/N)
SS45(B)

PB41N
PB41R
PB43N(B)
PB43R(W/B)
PB45N(B)
PB45R(W/B)

Inputs
0
1
2
3
4
5
6
7

Outputs
8
9
10
11
12
13
14
15

CP3
16
17
18
19
20
21
22
23

Coded
24
25
26
27
28
29
30
31

T45-(O/W)
T45+(O)
T1094-(Y)
T1094+(R)

G
K
T41

SW41

W/G
G
W/N
N
44R

TWR(W/O)
B
PB45N
W/B
PB45R
O
Y

W/G
G
W/N
N
42R
B
PB43N
W/B
PB43R
O
Y
W/O

GND(K)
T44a

Y
G
K
W/N
V
R
O
W/O
W
Y
K
W/B
W
T42
V
K
B
B

P
M
SW43
O

O
K
Y
K
V
K
T1090_3b
T1090_2b
T1042_2
Y
K
T1094
R

Serial Port Loop

